



EasyLog

EL-MOTE



Quick Start Guide

Welcome!

Let's set up your EL-MOTE

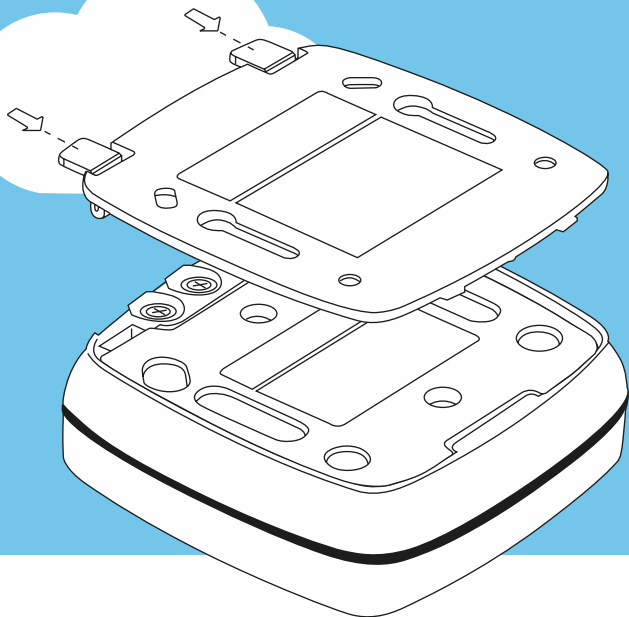
Before you connect your EL-MOTE, you need to do a few things.

- You'll need to set up an account on www.easylogcloud.com so that you can view your devices remotely.
- Download the **EasyLog Cloud App** on your phone or tablet
- Have your WiFi network details to hand

Not an Apple or Android user? Visit the support section on www.easylogcloud.com for alternative set up methods.



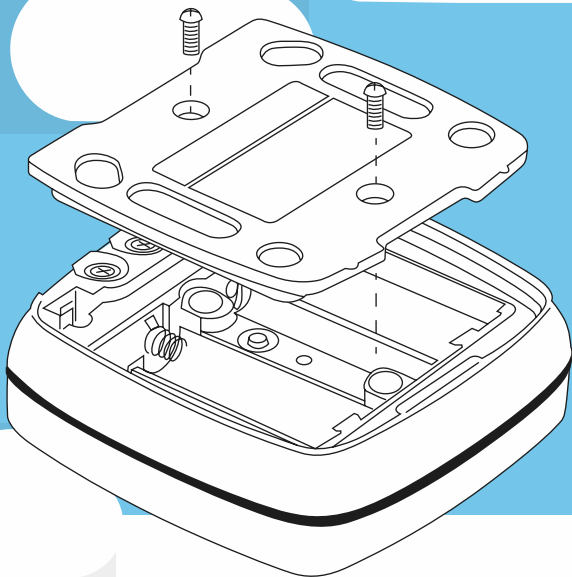
Remove mounting
bracket



2

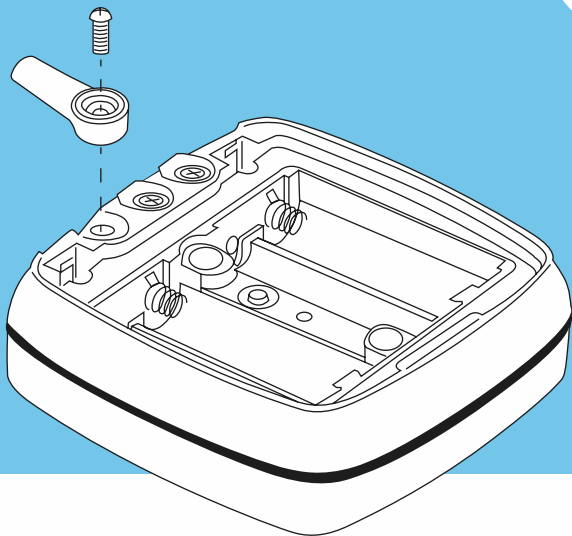
Remove battery cover

(do not refit this until
set up is complete)



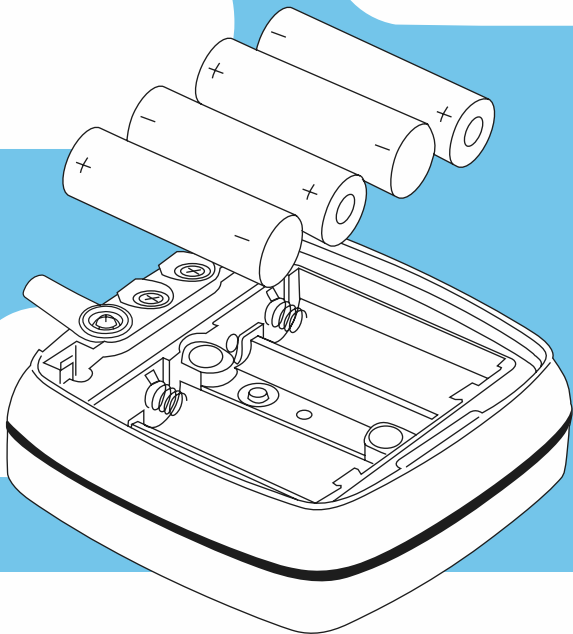
3

Connect probe/s



4

Install AA
batteries



5

In the EasyLog Cloud App, go to the menu, select Set up Device and follow the on-screen instructions



6





Once EL-MOTE is connected to your WiFi network replace the battery cover and install EL-MOTE in its place of application



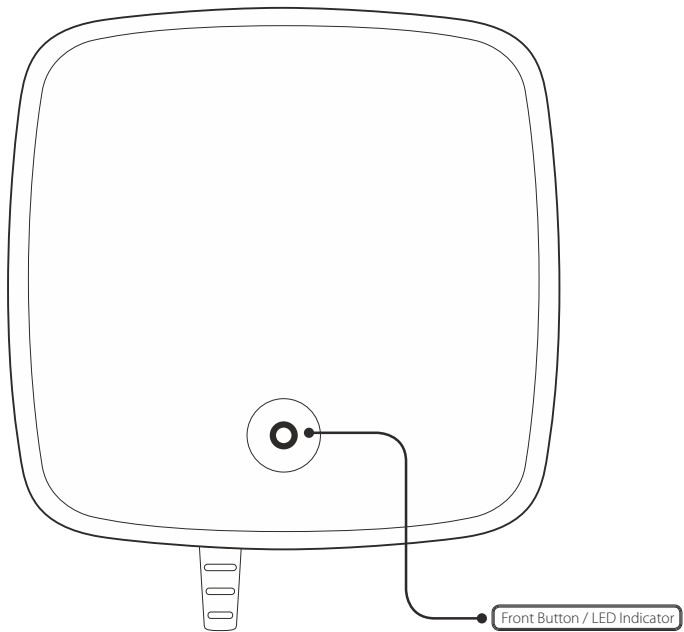
& you're
ready to go!

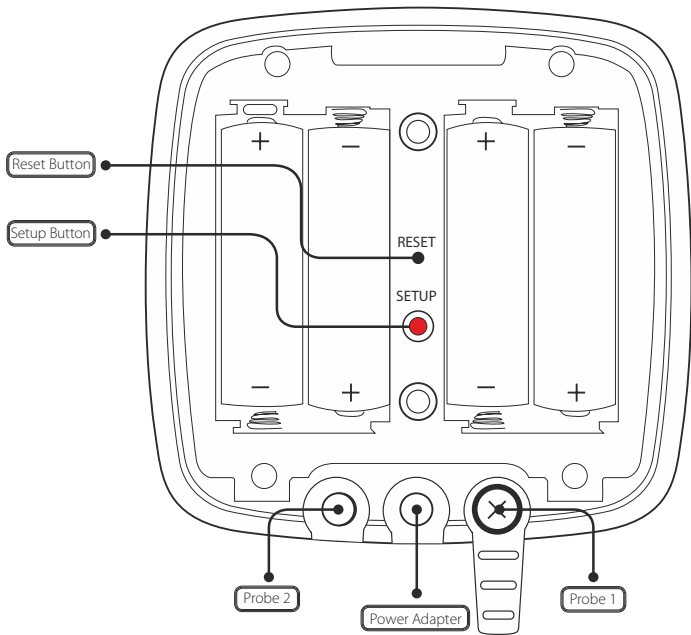
View and change device settings using the App or at www.easylogcloud.com

Device Indication Overview

State	Front Button LED	Sounder
 Device OK	 1 Flash / 5 Sec	No Sounder
 Fault	 1 Flash / 5 Sec	Single tone ring every 30 minutes
 Alarm	 1 Flash / 5 Sec	Continuous two tone ring

Visit www.easylogcloud.com for a detailed visual / sound state indication guide.





Important Safety Information

WARNING: Failure to follow these safety instructions could result in fire, electrical shock, other injury or damage.

Repairing or modifying

Never attempt to repair or modify this product. Dismantling may cause damage that is not covered under the warranty. Servicing should only be provided by an approved supplier. If the product has been punctured or seriously damaged, do not use it and return it to an approved supplier.

Using connectors and ports

Never force a connector into a port. Check for obstruction in the port; make sure that the connector matches the port and that you have positioned the connector correctly in relation to the port. If the connector and port do not join with reasonable ease, they probably do not match and should not be used.

Power supply

Only use 1.5V AA batteries or a genuine EL-MOTE power adapter to power your EL-MOTE data logger.

Disposal and recycling

You must dispose of this product and batteries according to relevant laws and regulations. This product contains electronic components and therefore must be disposed of separately from household waste.

Caution:

Risk of explosion if battery is replaced by an incorrect type. Dispose of used batteries according to the instructions.