

SRP-77

SIMPACT

- ⦿ process meter with 2 displays
- ⦿ input 0/4-20 mA
- ⦿ 1 or 2 relay outputs
- ⦿ power supply output: 24V DC
- ⦿ option: RS-485 / Modbus RTU

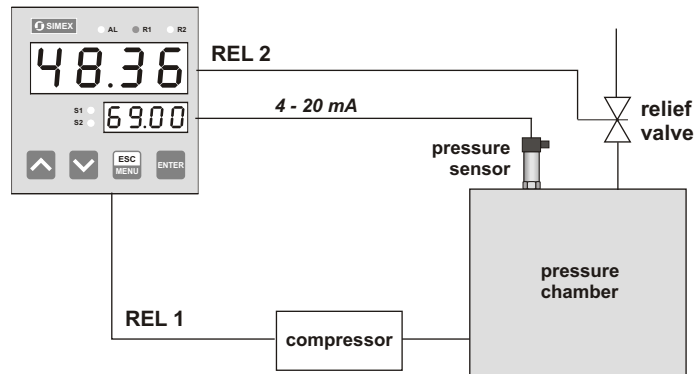


The main advantages of regulator **SRP-77** are two rows of display. The first one presents measuring value, second one - programmed values: max and min. 1 or 2 relay outputs make it possible to control processes ON/OFF type. Current input has protection safeguarding of the measuring resistor against damage. The device is dedicated to applications, where there is necessity of continuous control of the threshold values. The RS-485 enables data transmission in production process monitoring systems.

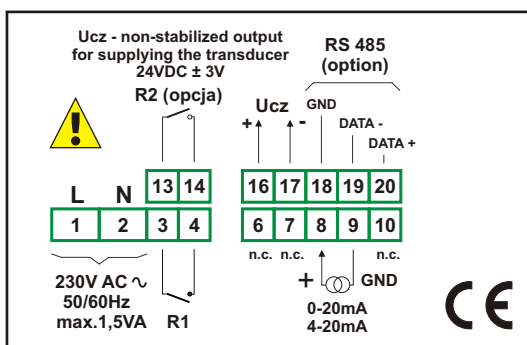
- programmable measuring range,
- programmable relay hystereses,
- programmable relay delay,
- password protected,
- programmable indication filtration,
- overload-protected current input,
- versions available with AC and DC power supply.

Typical applications

1. Measuring of pressure in a chamber with operating of the compressor according to set parameters and operating of relief valve, easy control of a threshold value.



Exemplary pin assignment



Ordering

SRP-77-11X1-X-X-XX

- options:**
01 : IP65
- power supply:**
1 : 24V DC
2 : 230V AC
- communication interface:**
0 : without interface
1 : RS-485
- number of outputs:**
1 : 1 x REL
2 : 2 x REL

Technical data

- Power supply:** 230V AC $\pm 10\%$ or 24V DC (non separated)
- Power consumption:** for 230V AC power supply: max. 2,6 VA; for 24V DC power supply: max. 4,5 W
- Display:** LED, double 4 x 13 mm (red) and 4 x 10 mm (green)
- Input:** current 0-20 mA or 4-20 mA, programmable, overload-protected, input current limited to about 35 mA
- Measuring range:** -999 - 9999 + decimal point
- Accuracy:** $\pm 0,25\% \pm$ one digit in the entire operation range
- Outputs:** 1 or 2 relays 1A/250V AC ($\cos\phi=1$)
- Transducer power supply output:** 24V DC $\pm 3V$, non-stabilized, not insulated from measuring inputs; for 230V AC power supply: max. 25 mA; for 24V DC power supply: max. 100 mA
- Communication interface (option):** RS-485, 8N1, 1200 bit/s + 115200 bit/s, Modbus RTU (not galvanically isolated)
- Operating temperature:** 0°C + +50°C
- Storage temperature:** -10°C + +70°C
- Protection class:** IP 65 (front side when an additional frame is installed); IP 40 (front side); IP 20 (case and connection clips)
- Case:** board
- Case material:** NORYL - GFN2S E1
- Case dimensions:** 72 x 72 x 100 mm
- Panel cut-out dimensions:** 66,5 x 66,5 mm
- Installation depth:** min. 102 mm
- Board thickness:** max. 5 mm

Contika
Hindhøj 82
8382 Hinnerup
Tel 86245066

SRN-77

SIMPACT

- process meter with 2 displays
- input 0/1-5V; 0/2-10V
- 1 or 2 relay outputs
- power supply output: 24V DC
- option: RS-485 / Modbus RTU

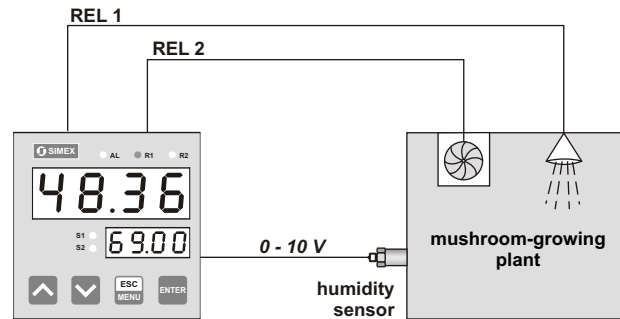


The main advantages of regulator **SRN-77** are two rows of display. The first one presents measuring value, second one - programmed values: max and min. 1 or 2 relay outputs make it possible to control processes ON/OFF type. The device is dedicated to applications, where there is necessity of continuous control of the threshold values. The 24V±3VDC output is used to power the measuring transducers. The RS-485 enables data transmission in production process monitoring systems.

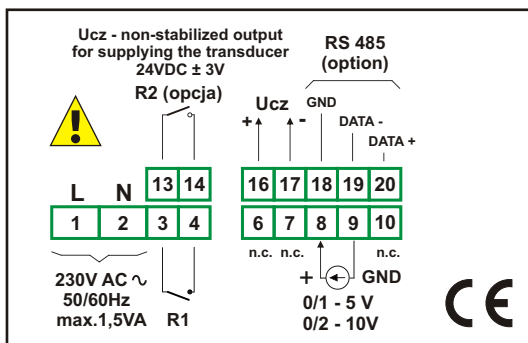
- programmable measuring range,
- programmable relay hystereses,
- programmable relay delay,
- password protected,
- programmable indication filtration,
- versions available with AC and DC power supply.

Typical applications

1. Air humidity adjustment in the mushroom-growing plant; enclosing the humidifier or fan depending on set parameters overflow.



Exemplary pin assignment



Ordering

SRN-77-12X1-X-X-XX

- options:**
01 : IP65
- power supply:**
1 : 24V DC
2 : 230V AC
- communication interface:**
0 : without interface
1 : RS-485
- number of outputs:**
1 : 1 x REL
2 : 2 x REL

Technical data

- Power supply:** 230VAC ± 10% or 24V DC (non separated)
- Power consumption:** for 230V AC power supply: max. 2,6 VA; for 24V DC power supply: max. 4,5 W
- Display:** LED, double 4 x 13 mm (red) and 4 x 10 mm (green)
- Input:** voltage 0-5 V, 1-5V, 0-10V or 2-10V, programmable
- Measuring range:** -999 - 9999 + decimal point
- Accuracy:** ± 0,25% ± one digit in the entire operation range
- Outputs:** 1 or 2 relays 1A/250V AC (cosφ=1)
- Transducer power supply output:** 24V DC ±3V, non-stabilized, not insulated from measuring inputs; for 230V AC power supply: max. 25 mA; for 24V DC power supply: max. 100 mA
- Communication interface (option):** RS-485, 8N1, 1200 bit/s + 115200 bit/s, Modbus RTU (not galvanically isolated)
- Operating temperature:** 0°C + +50°C
- Storage temperature:** -10°C + +70°C
- Protection class:** IP 65 (front side when an additional frame is installed); IP 40 (front side); IP 20 (case and connection clips)
- Case:** board
- Case material:** NORYL - GFN2S E1
- Case dimensions:** 72 x 72 x 100 mm
- Panel cut-out dimensions:** 66,5 x 66,5 mm
- Installation depth:** min. 102 mm
- Board thickness:** max. 5 mm

Contika
Hindhøjen 82
8382 Hinnerup
Tel 86245066

SRT-77

SIMPACT

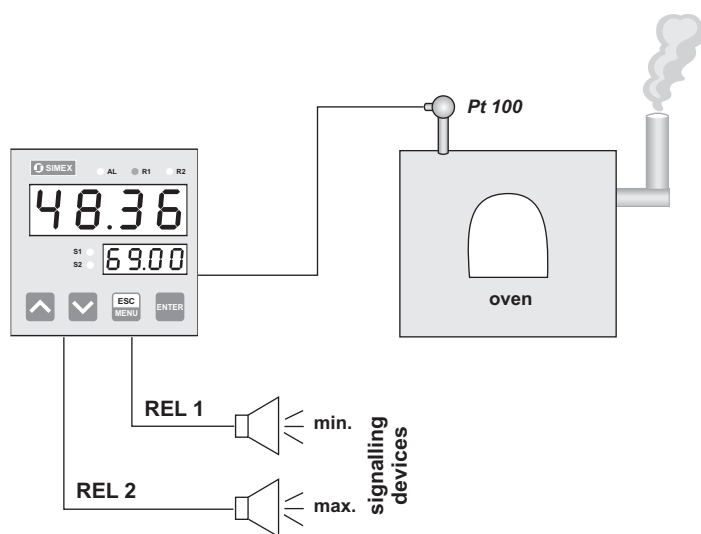
- process meter with 2 displays
- Pt100 input
- 1 or 2 relay outputs
- power supply output: 24V DC
- option: RS-485 / Modbus RTU



The **SRT-77** temperature meter has a Pt100 input with automatic recognition of 3 and 4-conductor connection and features full linearization of characteristics. The main advantage of regulator are two rows of display. The first one presents measuring value, second one - programmed values: max and min. 1 or 2 relay outputs make it possible to control heating / cooling processes. The RS-485 enables data transmission in production process monitoring systems.

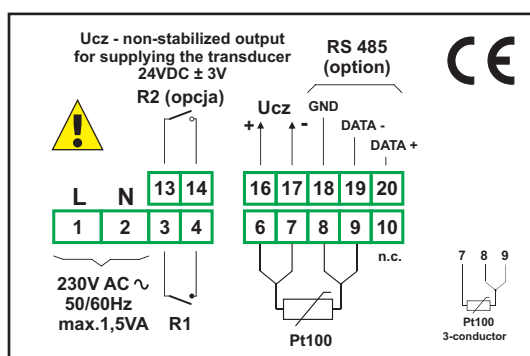
Typical applications

1. Measuring of oven temperature in a boiler room with acoustic signalling when alarm states are overflow, readable indicating of alarm thresholds.



- programmable relay hystereses,
- programmable relay delay,
- password protected,
- programmable indication filtration,
- automatic recognition of 3 and 4-conductor connection,
- alarm diode and acoustic signal in case of sensor damage,
- versions available with AC and DC power supply.

Exemplary pin assignment



Ordering

SRT-77-13X1-X-X-XX

- options:**
01 : IP65
- power supply:**
1 : 24V DC
2 : 230V AC
- communication interface:**
0 : without interface
1 : RS-485
- number of outputs:**
1 : 1 x REL
2 : 2 x REL

Technical data

- Power supply:** 230V AC $\pm 10\%$ or 24V DC (non separated)
- Power consumption:** for 230V AC power supply: max. 2,6 VA; for 24V DC power supply: max. 4,5 W
- Display:** LED, double 4 x 13 mm (red) and 4 x 10 mm (green)
- Input:** temperature Pt 100
- Measuring range:** $-50^{\circ}\text{C} + 550^{\circ}\text{C}$
- Accuracy:** $\pm 0,25\% \pm$ one digit in the entire operation range
- Resolution:** $0,1^{\circ}\text{C}$
- Resistance compensation of connecting conductors:** from 0 to 20Ω at any conductor
- Outputs:** 1 or 2 relays 1A/250V AC ($\cos\phi=1$)
- Transducer power supply output:** 24V DC $\pm 3\%$ / max. 25 mA, non-stabilized, not insulated from measuring inputs
- Communication interface (option):** RS-485, 8N1, 1200 bit/s + 115200 bit/s, Modbus RTU (not galvanically isolated)
- Operating temperature:** $0^{\circ}\text{C} + 50^{\circ}\text{C}$
- Storage temperature:** $-10^{\circ}\text{C} + 70^{\circ}\text{C}$
- Protection class:** IP 65 (front side when an additional frame is installed); IP 40 (front side); IP 20 (case and connection clips)
- Case:** board
- Case material:** NORYL - GFN2S E1
- Case dimensions:** 72 x 72 x 100 mm
- Panel cut-out dimensions:** 66,5 x 66,5 mm
- Installation depth:** min. 102 mm
- Board thickness:** max. 5 mm

Contika
Hindhøjen 82
8382 Hinnerup
Tel 86245066